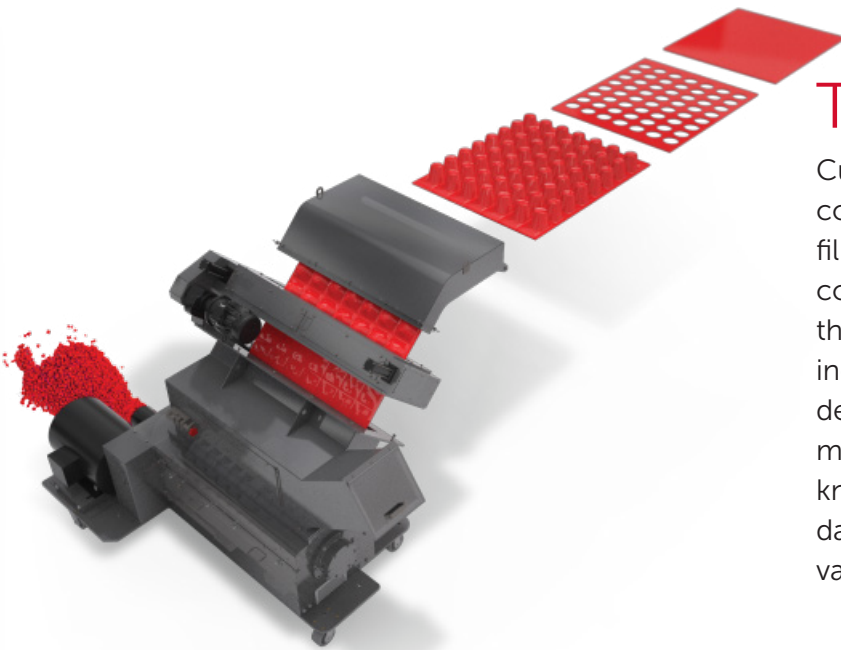




# FEEDROLL SERIES

FRV | FRE | FRC



## Technical Specifications

Cumberland's feedroll series are used in combination with our granulators to process sheet, film, web, and formed sheet. The Versatile feedrolls come in two versions allowing the flexibility to run thin film or large draw parts. Product enhancements include self-adjusting Delrin® strippers, robust drive design that allows reversing the roll direction, and machined end rings to prevent damage and wear to knurled rolls. Custom infeeds, feedroll widths, and dancer arm assemblies are available to match a wide variety of applications.

### Features

#### FLEXIBILITY

- Ability to incorporate feedrolls with a variety of granulator models to meet your applications specific needs

#### EASY SET UP & MAINTENANCE

- Self adjusting and easy to set up roll stripper prevents material from wrapping (FRV & FRC)
- Easily adjust minimum roll gap on air cylinder (FRV & FRC)

#### DURABLE DESIGN

- New robust drive allows for reversing rolls in the event of a jam (FRV & FRC)
- End rings protects rolls from contacting and extends roll life (FRV & FRC)

#### Standard Features

- Smooth Rolls
- Air cylinders apply roll pressure
- Gear reduced chain driven (FRV)
- Gear reduced direct drive (FRE)
- 460/3/60

#### Optional Features

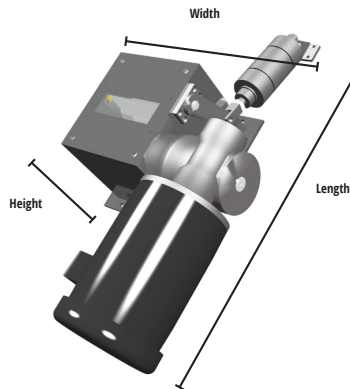
- Custom Feedroll Infeed Chute (Muffler)
- Custom Gear Reducers
- Dancer Bar
- Multiple Infeeds & Hoppers
- Knurled Rolls
- Custom Roll Widths
- 208/3/60, 240/3/60, 400/3/50, 575/3/60
- CE Compliant

### Compatibility Guide

	7 SERIES	10 SERIES	12 SERIES	16 SERIES	T50 SERIES	B SERIES	2062 SERIES	3200 SERIES	X SERIES	1400 SERIES	U SERIES	NO GRANULATOR	STAND / REMOTE MOUNT
FRE	•	•	•	•	•	•		•	•	•	•	•	•
FRV				•	•	•	•	•	•	•	•	•	•
FRC					•	•	•	•	•	•		•	•

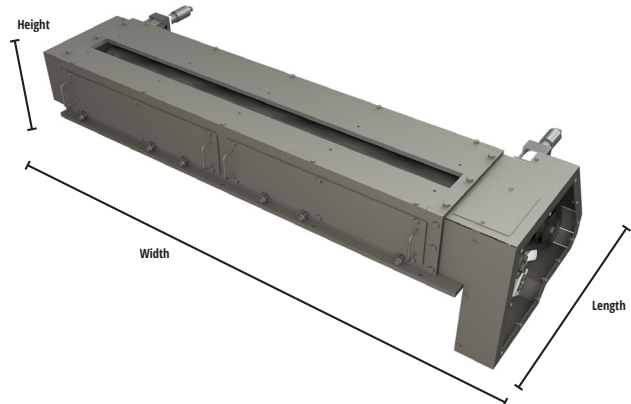
## Edge FRE Series

Edge Trim Rolls	FRE-5	FRE-9
Roll Width	6" (152 mm)	10" (254 mm)
Max Sheet Width	5" (127 mm)	9" (229 mm)
Roll Diameter	3" (76.2 mm)	
Roll Finish	Smooth / Knurled	
Roll Strippers	N/A	
Motor	1/2 hp (0.37 kW)	
Feed Rate	Up to 120 fpm	
Roll Clamp	1 Air Cylinder	2 Air Cylinders
Max Roll Gap	1" (25.4 mm)	
Width	17.96" (456.2 mm)	23.2" (589.3 mm)
Length	27.4" (696 mm)	27.4" (696 mm)
Height	9" (228.6 mm)	9.4" (238.7 mm)



## Versatile FRV Series

Versatile Rolls	FRV1-36	FRV1-48	FRV1-56	FRV5-56
Roll Width	36" (914 mm)	48" (1219 mm)	56" (1422 mm)	56" (1422 mm)
Max Sheet Width	36" (914 mm)	48" (1219 mm)	56" (1422 mm)	56" (1422 mm)
Roll Diameter	5" (127 mm)			
Roll Finish	Smooth / Knurled			
Roll Strippers	Standard, Both Rolls			Fixed Roll Only
Motor	3 hp (2.2 kW)			
Feed Rate	Up to 120 fpm			
Roll Clamp	Air Cylinder			
Max Roll Gap	1" (25.4 mm)			5" (127 mm)
Width	53.3" (1353.8 mm)	65" (1651 mm)	73" (1854.2 mm)	74.1" (1882.1 mm)
Length	30.5" (774.7 mm)	30.5" (774.7 mm)	30.5" (774.7 mm)	31" (787.4 mm)
Height	28.1" (713.7 mm)	28.1" (713.7 mm)	28.1" (713.7 mm)	30.1" (764.5 mm)



## Crusher FRC Series

Crusher Rolls	FRC-55
Roll Width	56" (1422 mm)
Max Sheet Width	55" (1397 mm)
Roll Diameter	12" (304 mm)
Roll Finish	Smooth / Knurled
Roll Strippers	Fixed Roll Only
Motor	10 hp (7.5 kW)
Feed Rate	20 - 75 fpm
Roll Clamp	Air Cylinder
Max Roll Gap	8" (203.2 mm)
Width	89.8" (2280.9 mm)
Length	54.6" (1386.8 mm)
Height	44.4" (1127.7 mm)

