



B SERIES

Heavy Duty Granulators

Technical Specifications

Cumberland's B Series Heavy Duty central granulators are designed for high capacity central reclamation. They can granulate a wide range of plastic scrap, from low density fiber to thick, high molecular weight purgings, and can be integrated with a variety of handling equipment.



Features

Standard Features

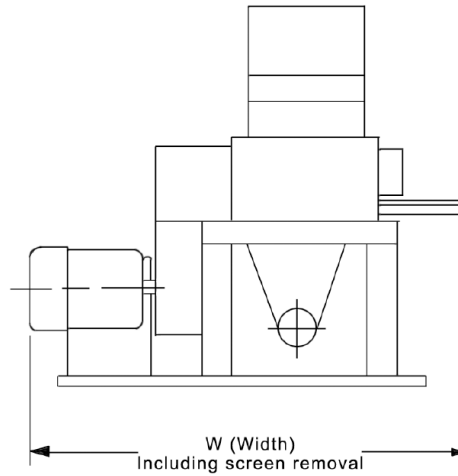
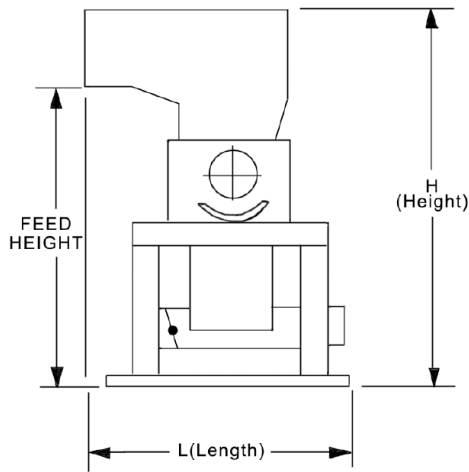
- Heavy duty double roller bearings mounted outboard to avoid contamination
- Designed for high capacity central reclamation
- Internal surfaces machined for ease of clean-out and material flow
- High shear rotor

Optional Features

- Conveyors with amperage feedback systems
- Hog style rotor with "raised" bed knife
- Water cooling
- Hardfacing



Specifications



| Model | B1837 | B2050 | B2062 | B2072 |
|--------------------------|---|--------------------|--------------------|--------------------|
| Throat Size | 18" x 37" | 20" x 50" | 20" x 62" | 20" x 72" |
| Cutting Circle | 16" | 18" | 18" | 20" |
| Throughput (3/8" screen) | 2500 | 3500 | 4500 | 5000 |
| Motor (tefc) | 100 hp | 150 hp | 200 hp | 200 hp |
| Drive | V-belt | V-belt | V-belt | V-belt |
| Feed Height | 104" | 112" | 112" | 112" |
| Length | 46" | 46" | 46" | 46" |
| Width | 135" | 140" | 145" | 171" |
| Height | 127" | 164" | 164" | 164" |
| LxWxH (mm) | 1168 x 3429 x 3226 | 1168 x 3556 x 4166 | 1168 x 3683 x 4166 | 1168 x 4343 x 4166 |
| Weight (lbs.) | 11,000 | 15,000 | 22,000 | 26,000 |
| Infeed | Conveyor | | | |
| Cutting Chamber | (2) Bed | | | |
| Rotor | Open 3 Blade | | | |
| Rotor Knives | (3) HCHC | | | |
| Bed Knives | (2) HCHC | | | |
| Screen Diameter | 3/8" | | | |
| Base | Step Type | | | |
| Discharge | Airveyor | | | |
| Electrical Components | Safety switches wired to common junction box | | | |
| Controls | To suit voltage, 100V at operator station | | | |
| Labels | Safety labels are provided for proper operation and maintenance | | | |
| Accessories | Available upon request | | | |