

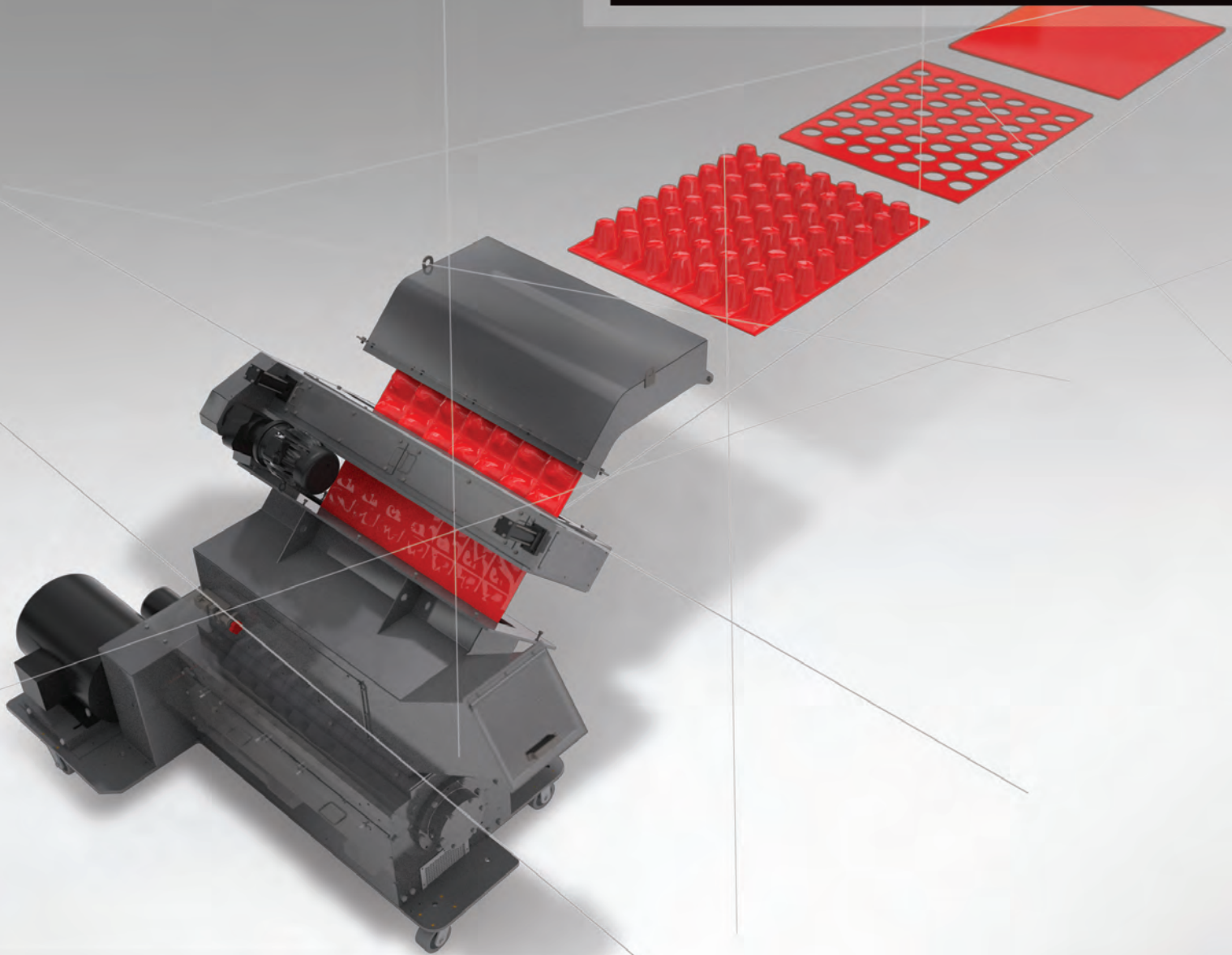


cumberland

Granulators | Shredders

THERMOFORMING SERIES

Granulators & Feedrolls



Flexibility

Easy Setup & Maintenance

Durable Design

Built to Last

Flexibility to process a variety of materials like cups, containers, web, & thin sheet.

www.cumberland-plastics.com

Thermoforming Granulators.

Reduced Costs.

Improved Productivity.

Thermoform Series Granulators are ideal for inline processing of thermoformed scrap. Built on decades of providing solutions to the thermoforming industry, Cumberland granulators offer a wide range of capabilities for continuous and cut sheet scrap reclamation. Expertly designed infeed systems ensure smooth processing of materials from startup through full-speed operation. Turn to the experts in size reduction to find a granulator and feedroll ideal for your specific application needs.

Flexibility to meet your needs.

	7 SERIES	10 SERIES	12 SERIES	16 SERIES	T50 SERIES	B SERIES	2062 SERIES	3200 SERIES	X SERIES	1400 SERIES	U SERIES	NO GRANULATOR	STAND / REMOTE MOUNT
FRE	•	•	•	•	•	•		•	•	•	•	•	•
FRV				•	•	•	•	•	•	•	•	•	•
FRC					•	•	•	•	•	•		•	•



10 Series Edge Trim FRE



16 Series with 2 Edge Trim FRE Rolls



56 U with Versatile FRV



1456 with Versatile FRV and Side Feed



T50 with Versatile FRV



B Series with Crusher FRC

THERMOFORMING SERIES

Granulation solutions tailored to your specific needs.

Cumberland's Thermofforming Series

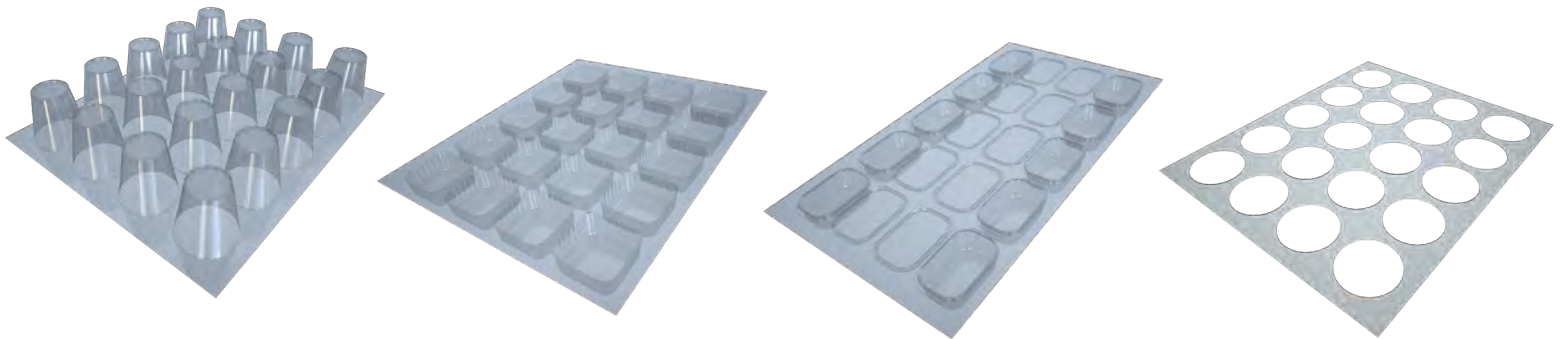
features a variety of Granulators & Feedrolls that are designed to process a wide variety of material. Our granulators are made of rugged materials and built to handle a multitude of materials and throughput requirements.



U Series Granulator shown with optional infeed chute

Process a wide range of materials & sizes

From crushing large cups and containers, to running thin sheet and web - Cumberland has solutions to meet your specifications.



Industry Leading Aftermarket Support Available

Technical Support & Training

Cumberland provides expert technical support and training, allowing customers to get the most out of their production environment.

On-Site Service

Service and support is available to provide regular maintenance and emergency service at your facility.

Parts Support

Thousands of parts in stock, ready for same day shipment including specific wear parts. Customer service representatives are ready to assist, ensuring you get the part you need - when you need it.

Product Repair & Refurbishment

Extend the life of your investment through factory repair and refurbishment, bringing your equipment to near-new condition.

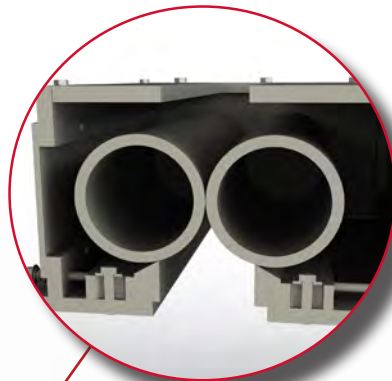
THERMOFORMING SERIES

VERSATILE

FRV Series

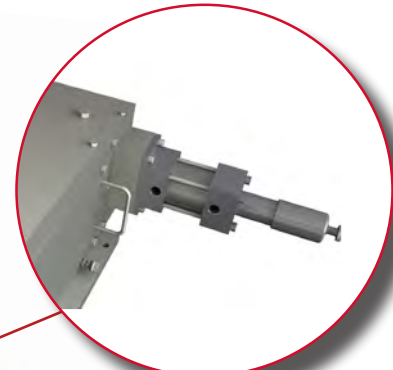
Cumberland's new versatile series rolls are used in combination with a granulator to process sheet, film, web, and formed sheet. The Versatile feedrolls come in two versions allowing the flexibility to run thin film or large draw parts. Product enhancements include self-adjusting Delrin® strippers, robust drive design that allows reversing the roll direction, and machined end rings to prevent damage and wear to knurled rolls. Custom infeeds, feedroll widths, and dancer arm assemblies are available match a wide variety of applications. Versatile feedrolls can be used on a variety of Cumberland's granulators.

Versatile Rolls	FRV1-36	FRV1-48	FRV1-56	FRV5-56
Roll Width	36" (914 mm)	48" (1219 mm)	56" (1422 mm)	56" (1422 mm)
Max Sheet Width	36" (914 mm)	48" (1219 mm)	56" (1422 mm)	56" (1422 mm)
Roll Diameter	5" (127 mm)			
Roll Finish	Smooth / Knurled			
Roll Strippers	Standard, Both Rolls			Fixed Roll Only
Motor	3 hp (2.2 kW)			
Feed Rate	Up to 120 fpm			
Roll Clamp	Air Cylinder			
Max Roll Gap	1" (25.4 mm)			5" (127 mm)
Width	53.3" (1353.8 mm)	65" (1651 mm)	73" 1854.2 mm)	74.1 (1882.1 mm)
Length	30.5" (774.7 mm)	30.5" (774.7 mm)	30.5" (774.7 mm)	31" (787.4 mm)
Height	28.1" (713.7 mm)	28.1" (713.7 mm)	28.1" (713.7 mm)	30.1" (764.5 mm)



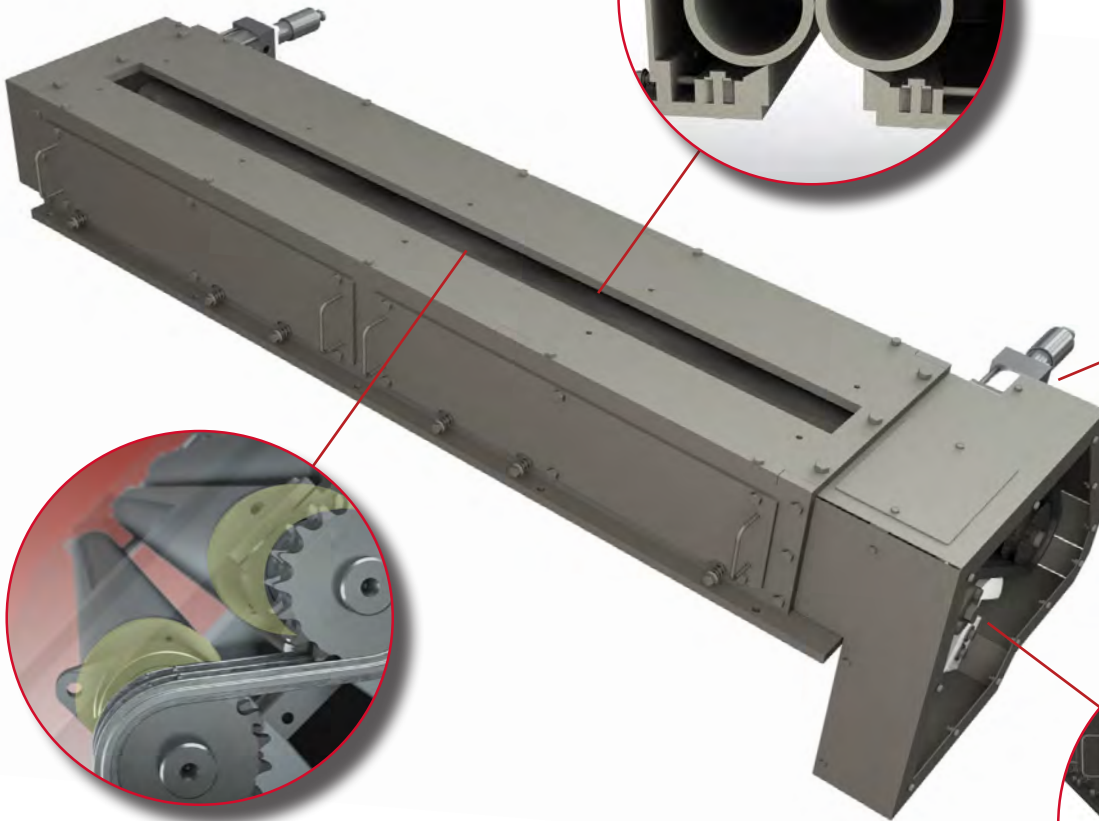
Easy Setup & Maintenance Delrin® Stripper

self adjusting and easy to set up
roll stripper prevents material wrapping



Easy Setup & Maintenance Adjustable Air Cylinders

allows for easy adjustment of
minimum gap settings

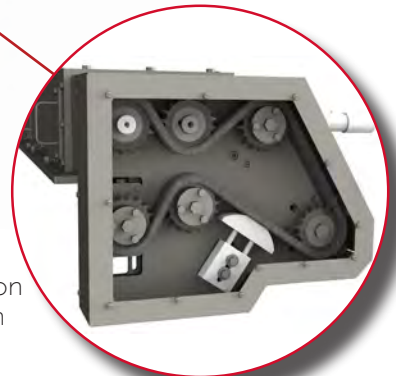


Durable Design Machined End Rings

prevents the knurl on the
rolls from colliding

Durable Design Robust Drive

ensures long life, allows roll direction
to be reversed in the event of a jam



EDGE TRIM

FRE Series

Edge trim feedrolls are used in combination with a granulator to process narrow strips of sheet. They can be used inline or offline from the thermoforming press. Edge trim feedrolls can be used on a wide variety of granulators. Multiple feedroll assemblies can be used with a single granulator if your process creates more than one edge trim.

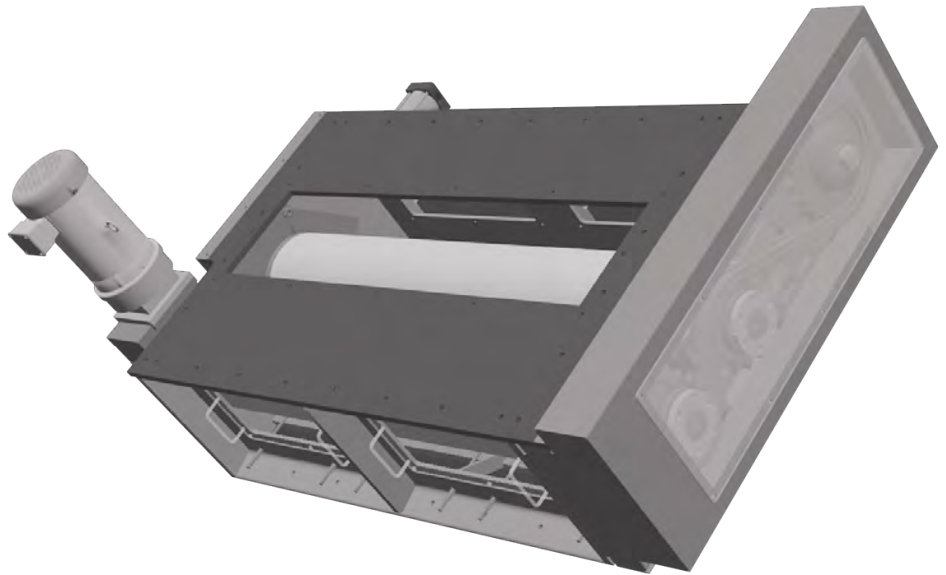


Edge Trim Rolls	FRE-5	FRE-9
Roll Width	6" (152 mm)	10" (254 mm)
Max Sheet Width	5" (127 mm)	9" (229 mm)
Roll Diameter	3" (76.2 mm)	
Roll Finish	Smooth / Knurled	
Roll Strippers	N/A	
Motor	1/2 hp (0.37 kW)	
Feed Rate	Up to 120 fpm	
Roll Clamp	1 Air Cylinder	2 Air Cylinders
Max Roll Gap	1" (25.4 mm)	
Width	17.96" (456.2 mm)	23.2" (589.3 mm)
Length	27.4" (696 mm)	27.4" (696 mm)
Height	9" (228.6 mm)	9.4" (238.7 mm)

CRUSHER

FRC Series

Cumberland's new crusher series feedrolls are used in combination with a granulator to process tough to handle large draw formed sheet. The crusher series oversized knurled rolls were designed to crush and process the toughest products at high capacities. This product was designed with easy setup, reduced maintenance, and durability in mind and has the same enhanced product features as the versatile series feedrolls. Similar to our other feedroll product lines the crusher feedrolls have the flexibility to be used on a variety of Cumberland's granulators to match your specific application needs.



Crusher Rolls	FRC-55
Roll Width	56" (1422 mm)
Max Sheet Width	55" (1397 mm)
Roll Diameter	12" (304 mm)
Roll Finish	Smooth / Knurled
Roll Strippers	Fixed Roll Only
Motor	10 hp (7.5 kW)
Feed Rate	20 - 75 fpm
Roll Clamp	Air Cylinder
Max Roll Gap	8" (203.2 mm)
Width	89.8" (2280.9 mm)
Length	54.6" (1386.8 mm)
Height	44.4" (1127.7 mm)

Crushes parts with ease



Open roll, insert part

Open feedrolls and place formed sheet into system.



Close roll, begin crushing

Close feedrolls and crush parts, begin feeding into granulator.

THERMOFORMING SERIES

Variety of thermoforming granulators configured to meet your needs.

T Series

Designed for continuous reclamation of skeletal web directly from the thermoform trim press, available with 36" or 56" infeed widths. T Series has integral mounted feedrolls or paddle wheels providing a low profile height that can fit under the press.

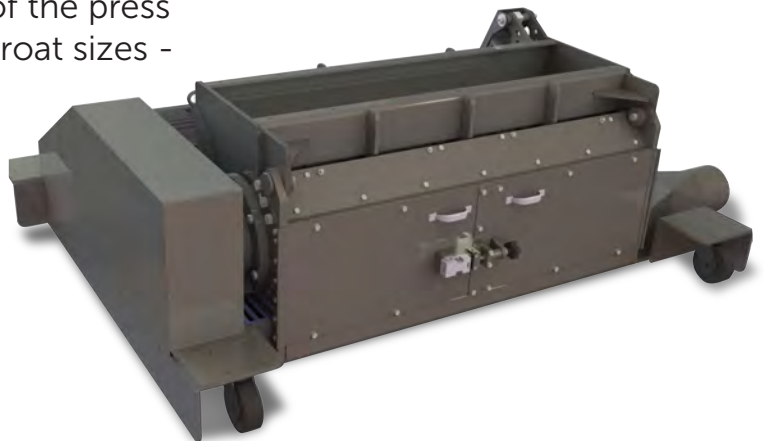
Inline	Offline	Under the Press
•	•	•



U Series

The U Series granulators offer a wide range of capabilities and are ideal for under-the-press or in front of the press applications. Three models provide various throat sizes - 12x44, 12x56 and 12x74.

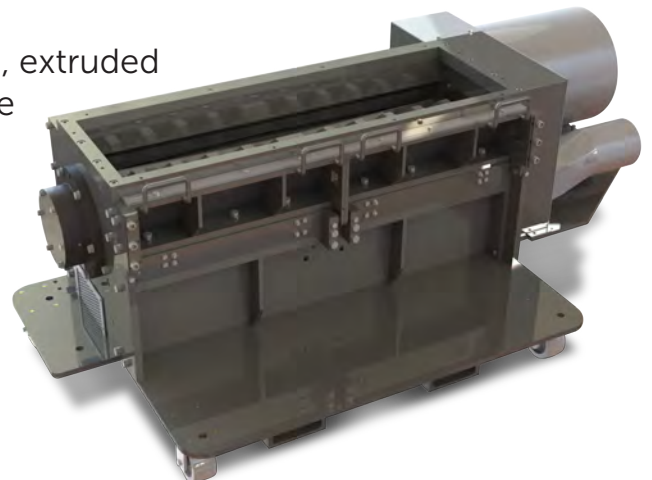
Inline	Offline	Under the Press
•	•	•



1400 Series

The 1400 Series offer reclamation of thermoformed, extruded scrap, sheet, web and edge trim. Model sizes include 14x56 and 14x62, both provide heavy-duty construction and quiet operation.

Inline	Offline	Under the Press
•	•	•



Specifications & Features

Standard Features

- NEMA 12 controls
- Safety interlocks
- Low-profile infeed system
- Machined, bolted cutting chamber for simplified cleaning
- Easily removable screens in drop-down cradle for quick removal and maintenance
- Multiple Screen Sizes: 3/16", 1/4", 5/16", 3/8"

T Series

Model	Cutting Chamber	Throughput	Standard Motor	Dimensions (W x L x H)	Weight
36T	8" x 36" (20cm x 91cm)	1000 lbs/hr (454 kg/hr)	7.5 hp (5.7 kW)	74.86" x 51" x 24.48" (190cm x 130cm x 62cm)	2600 lbs (1181 kg)
56T	8" x 56" (20cm x 142cm)	1300 lbs/hr (591 kg/hr)		94.86" x 51" x 24.48" (241cm x 130cm x 62cm)	2900 lbs (1305 kg)

- 3 knife rotor
- Precision machined internal surfaces maximize material flow
- Outboard mounted bearings reduce contamination risk and support maintenance
- Machined, bolted cutting chamber for simplified cleaning
- Easily removable screens in drop-down cradle for quick removal and maintenance

U Series

Model	Cutting Chamber	Throughput	Standard Motor	Dimensions (W x L x H)	Weight
44U	12" x 44" (31cm x 112cm)	1600 lbs/hr (726 kg/hr)	20 hp (15 kW)	91" x 70" x 32.25" (231cm x 178cm x 82cm)	4000 lbs (1814 kg)
56U	12" x 56" (31cm x 142cm)	2000 lbs/hr (907 kg/hr)	30 hp (22 kW)	103" x 70" x 32.25" (262cm x 178cm x 82cm)	5300 lbs (2404 kg)
74U	12" x 74" (31cm x 188cm)	2800 lbs/hr (1361 kg/hr)	40 hp (30 kW)	121" x 70" x 32.25" (307cm x 178cm x 82cm)	8000 lbs (3629 kg)

- 5 knife TwinShear™ rotor standard for efficient size reduction
- TwinShear™ knife design makes every cut more efficient, consuming less energy
- Split chamber supports faster cleanout times
- Reinforced heavy duty screen cradle stands up to tough applications
- Low-profile, sound attenuated infeed system
- Machined, bolted cutting chamber for simplified cleaning
- Easily removable screens in drop-down cradle for quick removal and maintenance

1400 Series

Model	Cutting Chamber	Throughput	Standard Motor	Dimensions (W x L x H)	Weight
1456	14" x 56" (36 cm x 142cm)	2200 lbs/hr (1000 kg/hr)	50 hp (37 kW)	106" x 66" x 36" (269cm x 167cm x 90cm)	11500 lbs (5227 kg)
1462	14" x 62" (36cm x 157 cm)	3000 lbs/hr (1361 kg/hr)		112" x 66" x 36" (284cm x 167cm x 90cm)	17000 lbs (7727 kg)

- 3 or 5 knife TwinShear™ rotor for efficient size reduction
- Deep welded and precision machined cutting chamber for the toughest production jobs
- Pneumatic actuation system for hopper and cradle opening supports safety
- Sheet feed hopper
- Machined, bolted cutting chamber for simplified cleaning
- Easily removable screens in drop-down cradle for quick removal and maintenance



Get More From Your Production Floor

Count on Cumberland to deliver a comprehensive line of size reduction systems and supporting equipment to help you drive efficiency and performance in your operation. Our technical support team is ready to evaluate your operation and ensure the right solution for all of your size reduction needs.

Cumberland History

Since its founding in 1939, Cumberland has been the benchmark of the industry it helped found. From its beginnings, Cumberland has led the market in ingenuity, technology development, and solution creation, while staying loyal to the mission set for itself. The goal is to be a partner for our clients, to aid in their growth and success, and to bring the safest, highest quality, and long-lasting size reduction solutions to their ever-changing needs.

Aftermarket Service & Support

Cumberland has a service network across the United States and in several key international locations. We are focused on having the right people and products in the right places to keep our customers running efficiently. Whether you need On-Site Service, Technical Support & Training, Parts Support or even Product Repair & Refurbishment, we have you covered. Contact our team today for all of your size reduction aftermarket needs at 262-641-8600 or service@acscorporate.com.

About ACS Group

The ACS Group designs, manufactures, markets and supports one of the most comprehensive lines of auxiliary products for the plastics processing industry. Over the years, ACS Group has grown both organically through technical innovation and through acquisition. ACS Group offers an expansive product line, which includes size reduction equipment (granulators and shredders), material conveying equipment, metering and blending devices, heat exchangers (mold temperature controls units and chillers), drying systems, and hydraulic presses.



ACS Group | 2900 South 160th Street, New Berlin, WI 53151
P: 1.262.641.8600 **E:** info@acscorporate.com **W:** acscorporate.com